

DD 8890

CHDD 8820

CHDD 8890

Dunstabzugshaube
Afzuigkap
Hotte aspirante
Cooker Hood
Campana extractora

Montage- und Gebrauchsanweisung
Installatie- en gebruiksaanwijzing
Notice d'utilisation et d'installation
Operating and Installation Instructions
Instrucciones de montaje y manejo

Contents

Safety warnings	53
For the user	53
For the installer	53
Description of the Appliance	55
Extractor version	55
Filter Version	55
Control Panel	56
Control device for grease and charcoal filters	57
Grease filter LED (F)	57
Charcoal filter LED (C)	57
Resetting the saturation indicator	57
Maintenance and care	58
Cleaning the hood	58
Metal grease filter	58
Removing the metal grease filter	58
Charcoal filter	59
Changing the light bulb	60
What to do if	61
Special accessories	62
Technical assistance service	62
Technical Specifications	63
Mounting accessories included	63
Electrical connection	64
Wall unit mounting	65



Safety warnings

For the user

- The cooker hood is designed to extract unpleasant odours from the kitchen, it will not extract steam.
- Always cover lighted elements, to prevent excess heat from damaging the appliance. In the case of oil, gas and coal fired cookers it is essential to avoid open flames.
- Also, when frying, keep the deep frying pan on the cooker top/cooker under careful control.
- The hot oil in the frying pan might ignite due to overheating.
- The risk of self-ignition increases when the oil being used is dirty.
- It is extremely important to note that overheating can cause a fire.
- **Never carry out any flambé cooking under the hood.**
- **Always disconnect the unit from the power supply before carrying out any work on the hood, including replacing the light bulb** (take the cartridge fuse out of the fuse holder or switch off the automatic circuit breaker).
- **It is very important to clean the hood and replace the filter at the recommended intervals. Failure to do so could cause grease deposits to build up, resulting in a fire hazard.**
- The appliance is not intended for use by young children or infirm persons without supervision.
- Young children should be supervised to ensure that they do not play with the appliance.
- **WARNING** - Ensure that the appliance is switched off before replacing the lamp to avoid the possibility of electric shock.

For the installer

- When used as an extractor unit, the hood must be fitted with a 150mm diameter hose.
- Should there already be a pipe of diameter 125 mm that ducts to the outside through the walls or roof, it is possible to use the 150/125 mm reduction flange provided. In this case the hood will be slightly noisier.
- **When installing the hood, make sure you respect the following minimum distance from the top edge of the cooking hob/ring surfaces:**

electric cookers	500 mm
gas cookers	700 mm
coal and oil cookers	750 mm min.

- The national Standard on fuel-burning systems specifies a maximum depression of 0.04 mbar in such rooms.
- The air outlet must not be connected to chimney flues or combustion gas ducts. The air outlet must under no circumstances be connected to ventilation ducts for rooms in which fuel-burning appliances are installed.
- The air outlet installation must comply with the regulations laid down by the relevant authorities.
- When the unit is used in its extractor version, a sufficiently large ventilation hole must be provided, with dimensions that are approximately the same as the outlet hole.
- National and regional building regulations impose a number of restrictions on using hoods and fuel-burning appliances connected to a chimney, such as coal or oil room-heaters and gas fires, in the same room.
- Hoods can only be used safely with appliances connected to a chimney if the room and/or flat (air/environment combination) is ventilated from outside using a suitable ventilation hole approximately 500-600 cm² large to avoid the possibility of a depression being created during operation of the hood.
- If you have any doubts, contact the relevant controlling authority or building inspector's office.
- Since the rule for rooms with fuel burning appliances is "outlet hole of the same size as the ventilation hole", a hole of 500-600 cm², which is to say a larger hole, could reduce the performance of the extractor hood.
- If the hood is used in its filtering function, it will operate simply and safely in the above conditions without the need for any of the aforementioned measures.
- When the hood is used in its extractor function, the following rules must be followed to obtain optimal operation:
 - short and straight outlet hose
 - keep bends in outlet hose to a minimum
 - never install the hoses with an acute angle, they must always follow a gentle curve.
 - keep the hose as large as possible (preferably the same diameter as the outlet hole).
- Failure to observe these basic instructions will drastically reduce the performance and increase the noise levels of the extractor hood.

Description of the Appliance

- The hood is supplied as an extractor unit and can also be used with a filtering function by fitting one charcoal filter.
- You will need an original AEG charcoal filter for this function (Available from your local AEG Service Force Centre).
- **Only for CHDD 8890:** The cooker hood is supplied ready for use as a recirculation hood and may be used for extraction by removing the charcoal filter which has been fitted inside the cooker hood.

Extractor version

- In this version fumes are extracted to the outside via a hose connected to the coupling ring. **Fig. 1**.
- In order to obtain the best performance the hose should have a diameter equal to the outlet hole.
Should there already be a pipe of diameter 125 mm that ducts to the outside through the walls or roof, it is possible to use the 150/125 mm reduction flange provided. In this case the hood will be slightly noisier.

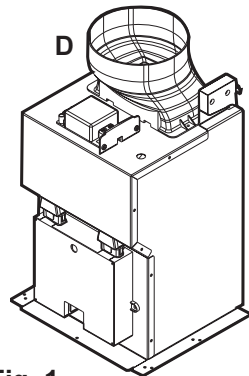


Fig. 1

Filter Version

- The air is filtered through a charcoal filter and returned to the kitchen.
- You will need an original AEG charcoal filter for the filtering function. (See Special Accessories).
- Optionally, the position of the chimney elements can be changed. When using the hood in the filter version the chimney must be fixed at the top, with the air outlet grill at the side.

Control Panel

- Best results are obtained by using a low speed for normal conditions and a high speed when odours are more concentrated. Turn the hood on a few minutes before you start cooking, you will then get an under pressure in the kitchen. The hood should be left on after cooking for about 15 minutes or until all the odours have disappeared. The control switches are located on the unit's front panel.

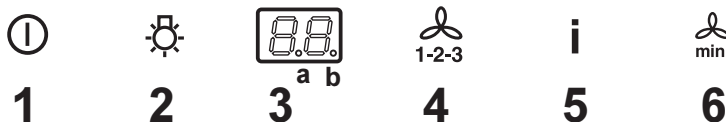


Fig. 2

- 1 - Mains switch, ON/OFF
Press for less than 1 1/2 seconds and the cooker hood goes into the "stand by" position (point "b" is illuminated).
Press for more than 1 1/2 seconds and the cooker hood turns off, ALL the controls (except the light push button) are disabled (the display is off).
Press again for more than 1 1/2 seconds to reset the cooker hood to "stand by".
- 2 - Light ON/OFF
- 3 - Display
- 4 - Start and choice of motor speed 1-2-3-1-2.....
- 5 - Intensive speed on/off. The Intensive speed runs for 5 minutes: If the hood is on when the Intensive speed is activated, the hood will revert to previous speed after 5 minutes.
If the hood is off when the Intensive speed is activated, the hood will automatically turn off after 5 minutes.
To interrupt the Intensive speed, press button 1 or 4.
The letter **P** appears on the display and the remaining time (the point "a" is flashing), if interrupted an acoustic signal is heard.
- 6 - Self-Timer: times all the speed levels (the point "b" is flashing), and then the cooker hood switches off:
The self-timer is set as follows:
1st speed level 20 minutes
2nd speed level 15 minutes
3rd speed level 10 minutes
The display shows the remaining operation time, at the end of the time an acoustic signal is heard. Depressing the push-button again exits the function.

Should the hood or the controls fail to operate: disconnect the power supply for at least 5 seconds. After reconnecting the power supply wait 15 seconds and then check that the cooker hood is now operating correctly.

Control device for grease and charcoal filters

This hood is fitted with a device that signals when it is necessary to clean the grease filter or the charcoal filter (if the hood is used in the recirculation version with a charcoal filter).

On delivery, the hood is not supplied with a charcoal filter, so the saturation indicator will be disabled.

If the hood is to be used with a charcoal filter, the saturation indicator light must be enabled as follows:

Press buttons **4** and **5** simultaneously and hold them for 3 seconds.

At first only the grease filter LED **F** will illuminate, but when the charcoal filter LED **C** illuminates the saturation indicator will be enabled.

To disable it: Press buttons **4** and **5** again simultaneously and hold them for 3 seconds, until the charcoal filter LED **C** goes out.

Grease filter LED (F)

LED **F** will start to flash when it is time to clean the grease filter.

Cleaning will be necessary after 40 working hours. Always comply with the maintenance instructions for the grease filter.

Charcoal filter LED (C)

The charcoal filter LED **C** will start to flash when the charcoal filter needs to be replaced.

This operation is necessary after approximately 160 working hours.

Resetting the saturation indicator

After cleaning or replacing the filters, press button **1** for 3 seconds until the grease filter LED **F** or the charcoal filter LED **C** stops flashing.

Warning! The resetting of the saturation indicator **MUST** be done in stand-by, never disconnect the hood from the mains.

Maintenance and care

- The hood must always be disconnected from the electricity supply before beginning any maintenance work.

Cleaning the hood

- Clean the outside of the hood using a damp cloth and a mild detergent.
- Never use corrosive, abrasive or flammable cleaning products.
- Never insert pointed objects in the motor's protective grid.
- Wash the outside surfaces using a delicate detergent solution. Never use caustic detergents or abrasive brushes or powders.
- Only ever clean the switch panel and filter grille using a damp cloth and delicate detergents.
- It is extremely important to clean the unit and change the filters at the recommended intervals. Failure to do so will cause grease deposits to build up that could constitute a fire hazard.

Metal grease filter

- The purpose of the grease filters is to absorb grease particles which form during cooking and it **must** always be used, either in the external extraction or internal recycling function.
Attention: the metal grease filters must be removed and washed, either by hand or in the dishwasher, every four weeks.

Removing the metal grease filter

- First, push the metal grease filter stop backwards, then extract the filter, pulling downwards. **Fig. 3.**

Hand washing

Soak grease filters for about one hour in hot water with a grease-loosening cleaner, then rinse off thoroughly with hot water. Repeat the process if necessary. Refit the grease filters when they are dry.

Dishwasher

Place grease filters in the dishwasher. Select most powerful washing programme and highest temperature, at least 65°C. Repeat the process. Refit the grease filters when they are dry.

When washing the metal grease filter in the dishwasher a slight discolouration of the filter can occur, this does not have any impact on its performance.

- Clean the inner housing using a hot detergent solution only (never use caustic detergents, abrasive powders or brushes).

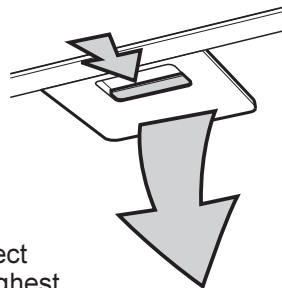


Fig. 3

Charcoal filter

- The charcoal filter should only be used if you want to use the hood in the recirculation function.
- To do this you will need an original AEG charcoal filter (available from your local Service Force Centre).
- **Cleaning/replacing the carbon filter**
Unlike other carbon filters, the **ONGLIFE** carbon filter can be cleaned and reactivated. At normal use the filter should be cleaned every second month (when using the hood 2,5 hours per day, in average). The best way to clean the filter is in the dishwasher. Use normal detergent and choose the highest temperature (65° C). Wash the filter separately so that no food parts gets stuck on the filter and later causes bad odours. To reactivate the carbon, the filter should be dried in an oven for 10 minutes with a temperature of maximum 100° C.
After approximately three years of use, the carbon filter should be replaced with a new, as the odour reduction capacity will be reduced.
- **Fitting**
Remove the frame **i** which supports the filter **h** by turning 90° the two knobs **g**.
Insert the charcoal filter inside the frame and put all parts back in their place. **Fig. 4**.
- **To remove** proceed in the reverse order.
- Always specify the hood model code number and serial number when ordering replacement filters. This information is shown on the registration plate located on the inside of the unit.
- The charcoal filter can be ordered from your local AEG Service Force Centre.

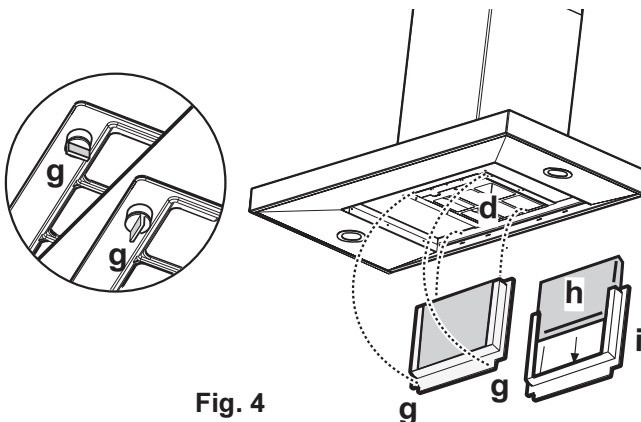


Fig. 4

Warning

- Failure to observe the instructions on cleaning the unit and changing the filters will cause a fire hazard. You are therefore strongly recommended to follow these instructions.
- The manufacturer declines all responsibility for any damage to the motor or any fire damage linked to inappropriate maintenance or failure to observe the above safety recommendations.

Changing the light bulb

- Disconnect the cooker hood from the main supply.
- Remove the lamp cover, use a screw driver as a lever. **Fig. 5.**
- Replace the old bulb with a new one of the same type.
- Refit the lamp cover.
- If the light does not come on, make sure the bulb has been inserted correctly before contacting your local Service Force Centre.

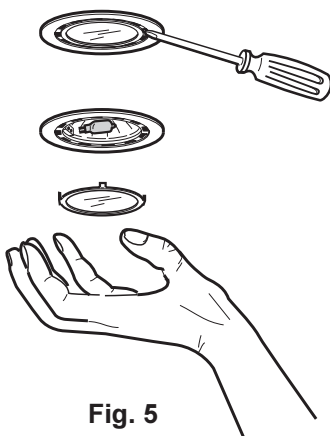


Fig. 5

What to do if

If your appliance fails to work properly please carry out the following checks.

Symptom	Solution
The cooker hood will not start...	Check that: The hood is connected to the electricity supply. Check that a fan speed has been selected
The cooker hood is not working effectively..	Check that: The fan speed is set high enough for the task. The grease filters are clean. The kitchen is adequately vented to allow the entry of fresh air. If set up for recirculation, check that the charcoal filter is still effective. If set up for extraction, check that the ducting and outlets are not blocked.
The cooker hood has switched off during operation...	The safety cut-out device has been tripped. Turn off the hob and then wait for the device to reset. If the hood has been installed below the heights indicated in the installation instructions the motor will cut-out frequently which will damage the hood.

If after all these checks, the problem persists, contact your local Service Force Centre, quoting the model and serial number. Please note that it will be necessary to provide proof of purchase for any in-guarantee service calls. In-guarantee customers should ensure that the above checks have been made as the engineer will make a charge if the fault is not a mechanical or electrical breakdown.

Special accessories

Charcoal filter KF20

E-Nr. 942 120 600

Technical assistance service (not for UK)

You are welcome to telephone our technical assistance service (see list of technical assistance centres) whenever you need information or in the unlikely event of a fault.

When calling, please be ready to specify:

1. **The model code number**
2. **The serial number (E-Nr.)**
3. **The manufacturing number (F-Nr.)**

This information is shown on the registration plate inside the unit behind the grease filter.

We reserve the right to change specifications and colours as a result of our policy of continuing technological development.

Service and spare parts for UK

In the event of your appliance requiring service, or if you wish to purchase spare parts, contact your local AEG Service Force Centre by telephoning: **08705 929 929**

Your call will be automatically routed to the Service Centre covering your post code area. For the address of your local Service Force Centre and further information about Service Force, please visit the website at www.serviceforce.co.uk

Please ensure that you have read the section „What to do if...“ as the engineer will make a charge if the fault is not a mechanical or electrical breakdown even the appliance is under warranty. **Please note that proof of purchase is required for in-guarantee service calls.**

Help us to help you

Please determine your type of enquiry before writing or telephoning. When you contact us we need to know:

- Your name
- Address and post code
- Telephone number
- Clear and concise details of the fault
- Name and model of the appliance*
- E number*

* This information can be found on the rating plate, which can be seen when the grease filters are removed.

Technical Specifications

Model	DD 8890 CHDD 8890	CHDD 8820
Dimensions - extractor version (in cm):		
Height	70-113	68,5-113,4
Width	89,8	119,8
Depth	50	46
Dimensions - filter version (in cm):		
Height	78-122	77,2 - 123
Width	89,8	119,8
Depth	50	46
Maximum absorbed power:	215 W	275 W
Motor absorption:	1 x 175 W	1 x 175 W
Lighting:	2 x 20 W	4 x 20 W
Length of the cable:	150 cm	150 cm
Electrical connection:	220 - 240 V	240 V

Mounting accessories included

- 1 chimney support
- 1 reduction flange Ø 125-120 mm
- 1 deflector
- 1 allen spanner (for TORX screws)
- 1 support bracket
- 6 wood-screws 5 x 45 mm (for wall mounting)
- 6 wall plugs Ø 8 mm (for wall mounting)
- 2 metal screws 2,9 x 6,5 (for chimney flue mounting)
- DD 8890 - CHDD 8890 only**
 - 4 metal screws 3,5 x 9,5 (to affix the deflector to the support)
- CHDD 8820 only**
 - 4 metal screws 2,9 x 6,5 (2 for chimney flue mounting + to affix the deflector to the support)

Electrical connection (not for UK)

Safety warnings for the electrician

Before connecting the appliance to the power supply, check that the voltage indicated on the rating plate corresponds to the mains power supply available. Appliances fitted with a plug can be connected to any standard power socket within easy access.

Should it be necessary to provide a fixed connection, the hood must only be installed by an electrician authorised by the local electricity board. When installing, an omnipolar disconnecter with a distance of at least 3 mm between contacts must be provided.

Fixed connection of the appliance must only be carried out by an authorised electrician.

Electrical connection for UK only

Safety warnings for the electrician

Connect the hood to the mains supply via a double pole switch which has 3 mm minimum separation between the contacts.

The switch must be accessible at all times.

The following is valid in the United Kingdom only:

- the wire which is coloured green and yellow must be connected to the terminal which is marked with the letter E or by the earth symbol (\perp), or coloured green or green and yellow;
- the wire which is coloured blue must be connected to the terminal which is marked with the letter N or coloured black, -
- the wire which is coloured brown must be connected to the terminal which is marked with the letter L or coloured red.

Wall unit mounting - Fig. 6

First decide how the hood is to operate (extractor or filter).

If you decide to use the hood in the extractor version we suggest to position the upper section of the chimney so that the outlet slots are not visible once installed, if the hood is used in the filtering version

ENSURE that the side with the slots pointing upwards (see also A-B-C sequence on on Fig. 6).

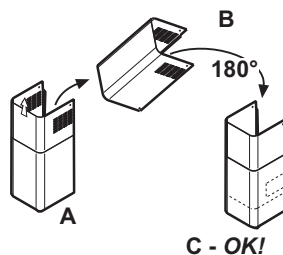


Fig. 6

Wall unit mounting - Fig. 7

- Mark the wall with a centre line, this will aid mounting procedure **(1)**, position the template so that the mid line printed on the template matches with the centre line previously drawn, the lower side of the template corresponds to the lower side of the hood once mounted **(2)**.
- Drill two holes \varnothing 8mm and fix the support bracket with two wall plugs and screws **(3)**. Hang the hood **(4)** and adjust its position **(5-6)**.
- From the inside of the hood mark two points for fixing **(7)**.
- Remove the hood **(8)** and drill two holes \varnothing 8mm **(9)**, fit two wall plugs **(10)**.
- Drill two holes \varnothing 8mm on the upper side close to the ceiling, fit two wall plugs **(11)** (In case the hood is to be used in **filter version**, mount the deflector **F** on the chimney support with four screws 2,9x6,5 (Two screws for model CHDD 8820) and fix the chimney support **G** with two screws **(12)**).
- Hang the hood again **(13)** and secure it with two screws **(14)**.
- Fit an exhaust pipe **(15)** to connect the outlet hole **A** of the hood to the outside (Extractor hood) or to the deflector **F** (Filter version).
- Make electrical connection **(16)**.
- Fix the chimney first up **(17a)** to the chimney support **(17b)**, then slide the lower section of the chimney down into the housing on top of the hood **(18)**.
- **Only for model CHDD 8820:** Fix the lower section to the hood with two screws 3 x 9 mm **(19)**.

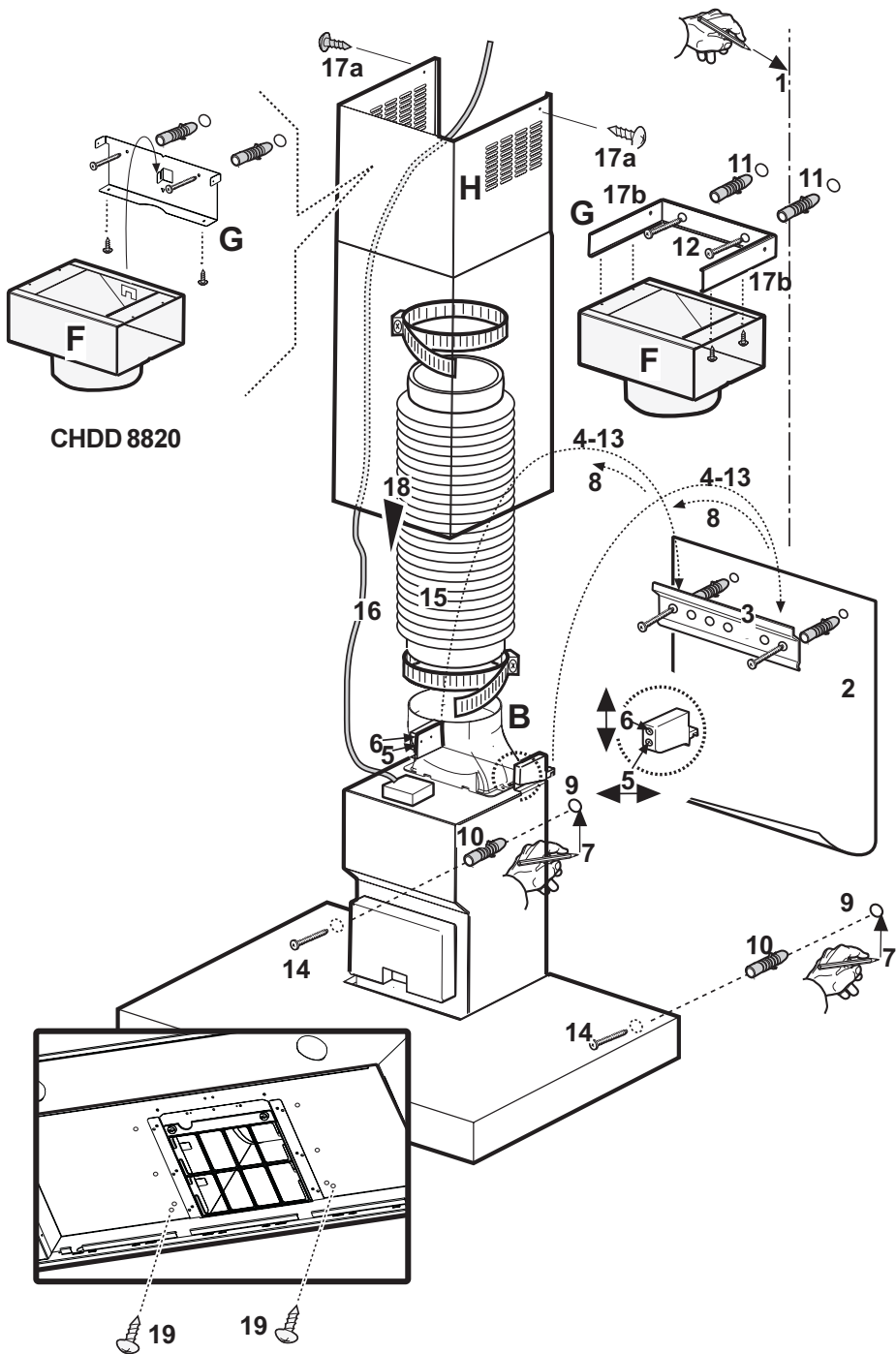


Fig. 7



From the Electrolux Group. The world's No.1 choice.

The Electrolux Group is the world's largest producer of powered appliances for kitchen, cleaning and outdoor use. More than 55 million Electrolux Group products (such as refrigerators, cookers, washing machines, vacuum cleaners, chain saws and lawn mowers) are sold each year to a value of approx. USD 14 billion in more than 150 countries around the world.

**AEG Hausgeräte GmbH
Postfach 1036
D-90327 Nürnberg**

**<http://www.aeg.hausgeraete.de>
<http://www.aeg.co.uk>**

© Copyright by AEG

LI10LF Ed. 09/03